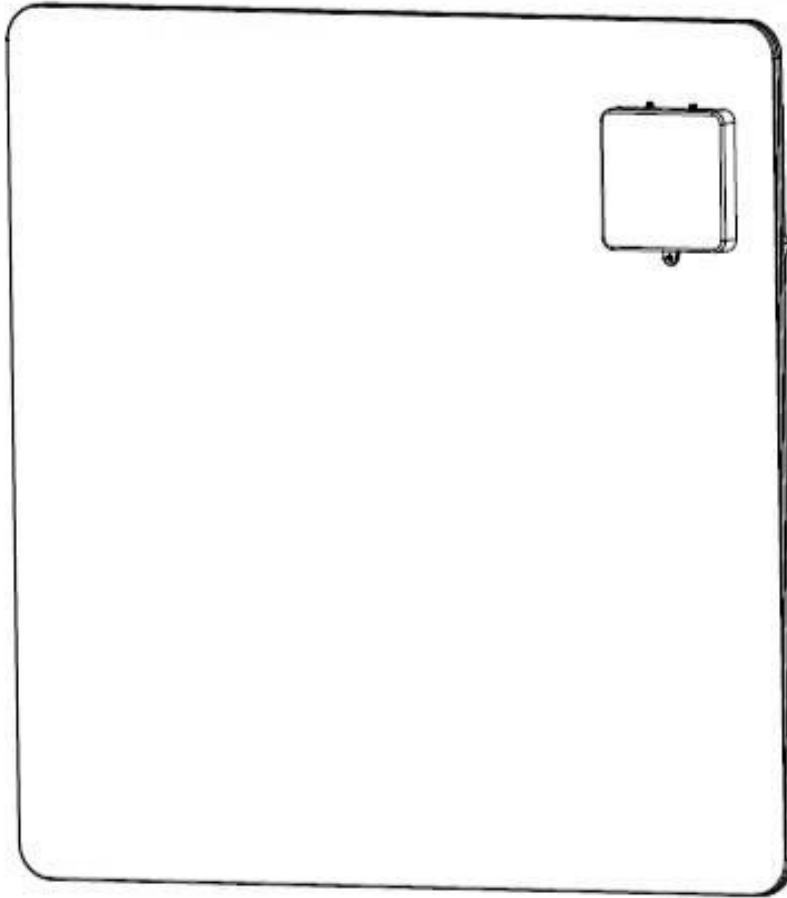


USER'S INSTRUCTION MANUAL



Eco Wall Panel Heater

Model: PH-ET07TD/ PH-ET09TD

Save more than 50% of your room heating cost



READ INSTRUCTIONS CAREFULLY: Read and follow all instructions. Place instructions in a safe place for future reference. Do not allow anyone who has not read these instructions to assemble, light, adjust or operate the heater.

IMPORTANT INSTRUCTIONS

PLEASE READ AND SAVE THESE IMPORTANT SAFETY INSTRUCTIONS
When using electrical appliances, basic precautions should always be followed to reduce the risk of fire, electric shock, and injury to persons, including the following:

- READ ALL INSTRUCTIONS BEFORE USING THIS HEATER.
- DO NOT USE THIS HEATER IN THE IMMEDIATE SURROUNDINGS OF A BATH, A SHOWER OR A SWIMMING POOL.
WARNING: THIS HEATER IS NOT EQUIPPED WITH A DEVICE TO CONTROL THE ROOM TEMPERATURE.
- DO NOT USE THIS HEATER IN SMALL ROOMS WHEN THEY ARE OCCUPIED BY PERSONS NOT CAPABLE OF LEAVING THE ROOM ON THEIR OWN, UNLESS CONSTANT SUPERVISION IS PROVIDED.
- CHILDREN OF LESS THAN 3 YEARS SHOULD BE KEPT AWAY UNLESS CONTINUOUSLY SUPERVISED.
- CHILDREN AGED FROM 3 YEARS AND LESS THAN 8 YEARS SHALL ONLY SWITCH ON/OFF THE APPLIANCE PROVIDED THAT IT HAS BEEN PLACED OR INSTALLED IN ITS INTENDED NORMAL OPERATING POSITION AND THEY HAVE BEEN GIVEN SUPERVISION OR INSTRUCTION CONCERNING USE OF THE APPLIANCE IN A SAFE WAY AND UNDERSTAND THE HAZARDS INVOLVED. CHILDREN AGED FROM 3 YEARS AND LESS THAN 8 YEARS SHALL NOT PLUG IN, REGULATE AND CLEAN THE APPLIANCE OR PERFORM USER MAINTENANCE.
- THIS APPLIANCE CAN BE USED BY CHILDREN AGED FROM 8 YEARS AND ABOVE AND PERSONS WITH REDUCED PHYSICAL, SENSORY OR MENTAL CAPABILITIES OR LACK OF EXPERIENCE AND KNOWLEDGE IF THEY HAVE BEEN GIVEN SUPERVISION OR INSTRUCTION CONCERNING USE OF THE APPLIANCE IN A SAFE WAY AND UNDERSTAND THE HAZARDS INVOLVED. CHILDREN SHALL NOT PLAY WITH THE APPLIANCE. CLEANING AND USER MAINTENANCE SHALL NOT BE MADE BY CHILDREN WITHOUT SUPERVISION.
- IF THE SUPPLY CORD IS DAMAGED, IT MUST BE REPLACED BY THE MANUFACTURER, ITS SERVICE AGENT OR SIMILARLY QUALIFIED PERSONS IN ORDER TO AVOID A HAZARD.
- **CAUTION —SOME PARTS OF THIS PRODUCT CAN BECOME VERY HOT AND CAUSE BURNS. PARTICULAR ATTENTION HAS TO BE GIVEN WHERE CHILDREN AND VULNERABLE PEOPLE ARE PRESENT.**
- IN ORDER TO AVOID OVERHEATING, DO NOT COVER THE HEATER
- THE HEATER MUST NOT BE USED IF THE GLASS (PLASTER) PANELS ARE DAMAGED
- THE APPLIANCE IS NOT TO BE USED BY PERSONS (INCLUDING CHILDREN) WITH REDUCED PHYSICAL, SENSORY OR MENTAL

CAPABILITIES, OR LACK OF EXPERIENCE AND KNOWLEDGE, UNLESS THEY HAVE BEEN GIVEN SUPERVISION OR INSTRUCTION.

- Heater is hot when in use. To avoid burned, do not let bare skin touch hot surfaces. Keep combustible materials, such as furniture, pillows, bedding, papers, clothes, and curtains at least 3 feet (0.9m) from the front of the heater and keep them away from the sides and rear.
- Extreme caution is necessary when this heater is used by or near children or invalids and whenever the heater is left operating and unattended. This appliance is not intended for using by persons (including children) with reduced physical, sensory or mental capabilities, or lack of experience and knowledge, unless they have been given supervision or instruction concerning use of the appliance by a person responsible for their safety. Children should be supervised to ensure that they do not play with the appliance.
- Always unplug heater when not in use.
- Do not operate the heater with a damaged cord or plug or after the heater malfunctions, has been dropped or damaged in any manner. Return it to authorized service facility for examination, electrical or mechanical adjustment, or repair.
- Indoor use only, wall mounted use only. Do not use outdoors. (Omitted if the heater is intended for outdoor use.)
- This heater is not intended for using in bathrooms, laundry areas and similar indoor locations. Never locate heater where it may fall into bathtub or other water container.
- Do not run cord under material. Do not cover cord with throw rugs, runners, or similar coverings. Do not operate any heater after it malfunctions. Do not operate the heater with the alarm sounding (or illuminating). Disconnect power at service panel and have heater inspected by a reputable electrician before reusing.
- To prevent a possible fire, do not block the space between the heater and the wall which is for air intake or exhaust in any manner.
- A heater has hot and arcing or sparking parts inside. Do not use it in the areas where gasoline, paint, or flammable liquids are used or stored.
- Use this heater only as described in this manual. Any other use not recommended by the manufacturer may cause fire, electric shock, or injury to persons.
- Avoid the use of an extension cord because the extension cord may overheat and cause a risk of fire.
- To prevent overloading a circuit, do not plug the heater into a circuit that already has other appliances working. Do not install the heater under the wall socket.
- It is normal for the plug to feel warm to the touch; however, a loose fit between the AC outlet (receptacle) and plug may cause overheating and distortion of the plug. Contact a qualified electrician to replace loose or worn outlet.
- The output of this heater may vary and its temperature may become intense enough to burn exposed skin. Use of this heater is not recommended for persons with reduced sensitivity to heat or an inability to react to avoid burns.
- Do not cover the heater under no circumstance.

SAVE THESE INSTRUCTIONS

UNPACKING AND WALL MOUNTING INSTRUCTIONS

Unpack your package and find the heater together with the wall mounting accessories pack.

1 Mark the positions of the four holes to be drilled on the wall. (The heaters shall be installed at 0.2m-1.5m above the floor and 1.0m under the ceiling)

2 Drill the holes with the drill bit from the accessories pack.

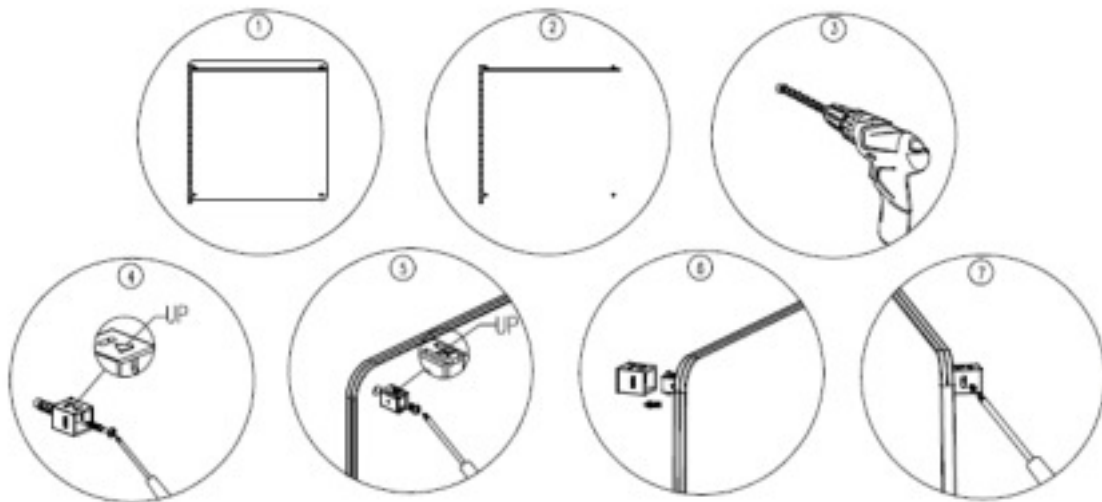
3 Insert the expansion tube (the side with arrows should be upside) fitting into the holes and fixed by screws (ST4*45mm)

4 Install the plastic fasteners (one side with arrows should be upside) to the four holes in the panel heater and fix by screws (M5*8mm)

5 Insert the panel heater with plastic fasteners to the expansion tube and fixed by screws (ST3*12mm) from the side.

7 To uninstall the unit from the wall, just unscrew the screws (ST3*12mm) which fix plastic fasteners and expansion tube with a screw driver and then detach the plastic fasteners and expansion tube.

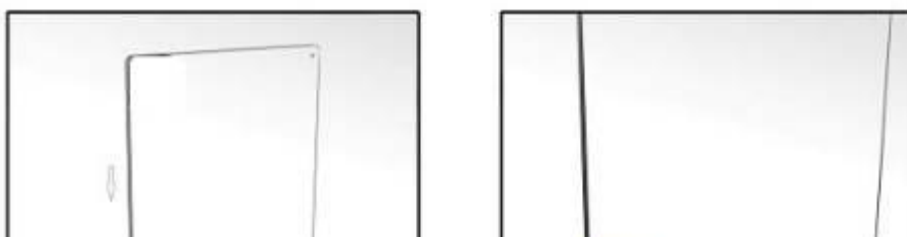
8 Make sure the distance between the bottom of the heater and the floor is no less than 0.2m when the heater is installed



FREE STANDING INSTRUCTIONS

1. Place the free standing feet on the ground, keep the slots of both foot in line, distance the foot which is on the switch side at least 12cm and similar distance the other, and insert the panel into the slots lightly.

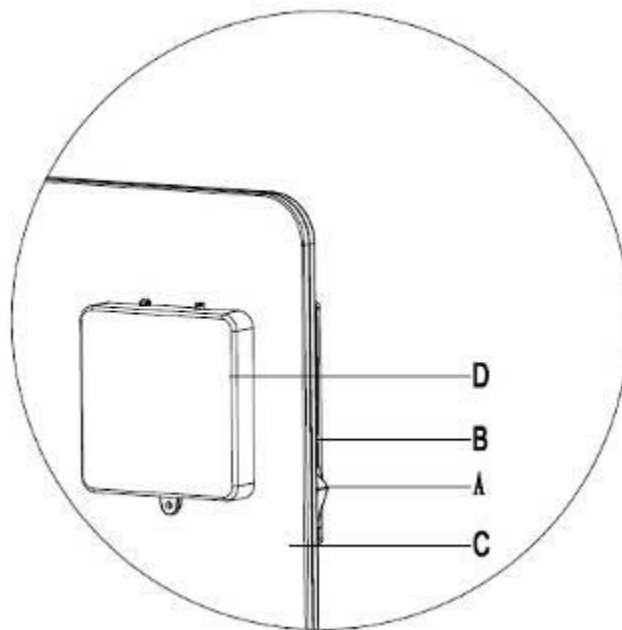
2. Screw the two bolts into the holes on the feet.



OPERATING INSTRUCTIONS

To begin to use the heater, please follow these instructions:

1. Check the heater to be sure it is not damaged.
2. Then, just plug in it and then switch on the illuminated ON/OFF switch.
3. When you need not warm the room, just switch it off.
4. If you want to leave it not working for a long time, please plug off the heater.



Control Panel Functions

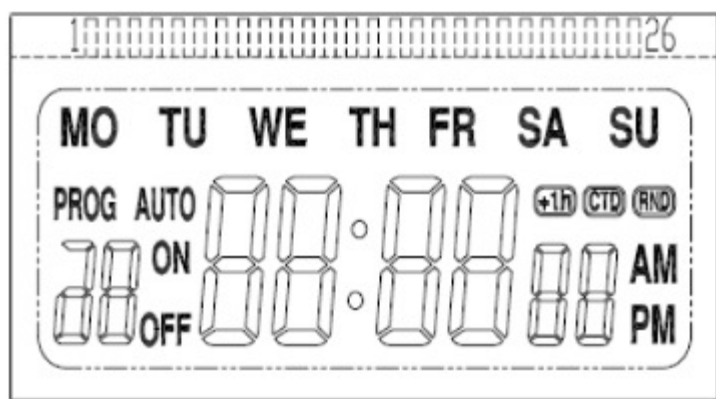
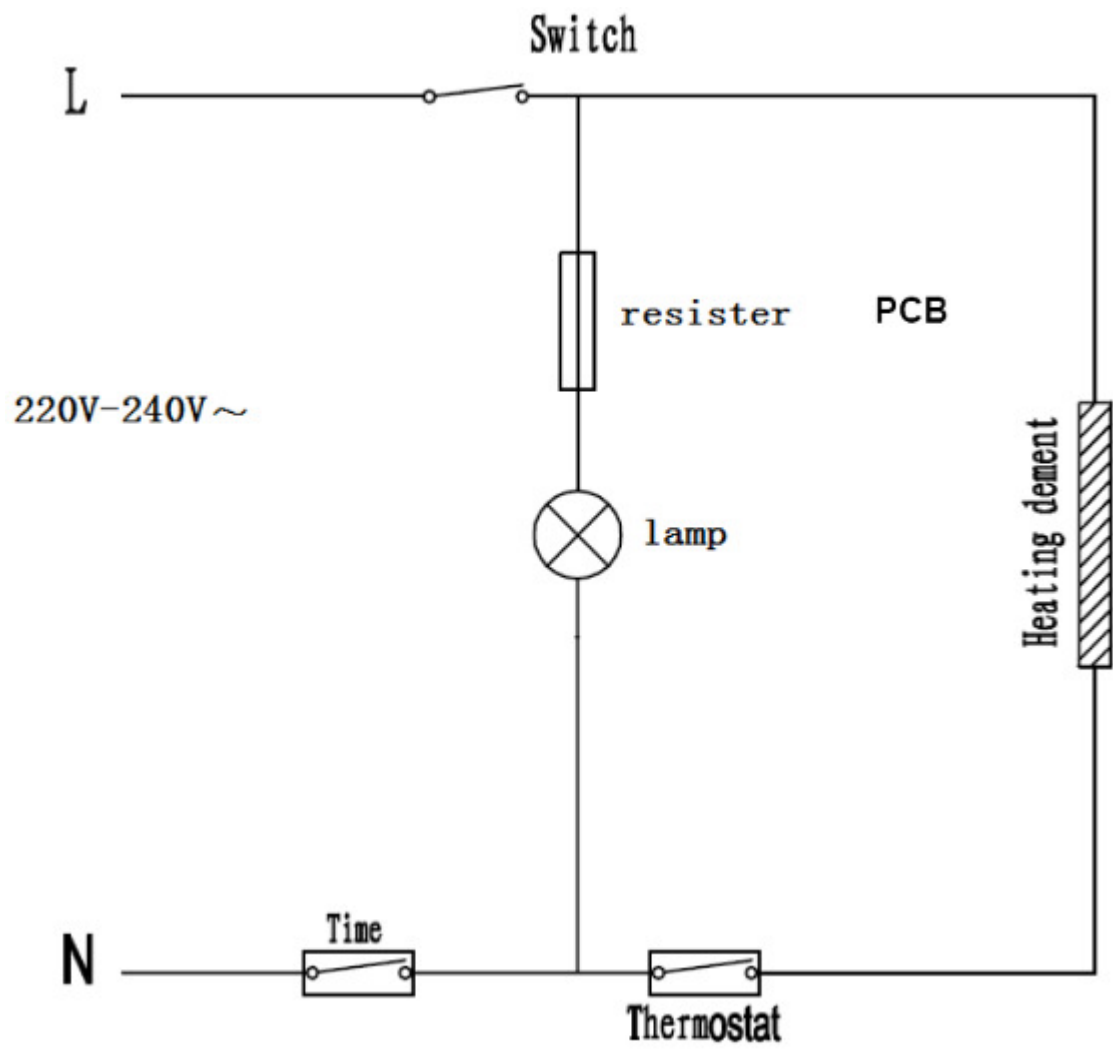
A ON/OFF Switch

C Heater Body

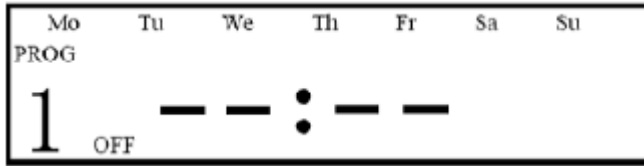
B Control panel

D Proelction Lever

ELECTRIC DIAGRAM



- WEEK
- HOUR
- MIN
- RECALL
- CLOCK
- PROG
- AUTO
- R



SETTING THE CLOCK

While holding the CLOCK button down:

1. Press the WEEK button until the display shows the current

day.

2. Press the HOUR button until the display shows the current hour.

3. Press the MIN (Minute) button until the display shows the current minute.

SETTING PROGRAMES

Press the PROG (Program) button once, the display will look as shown below:

Now you can set up the time in which you want your device turned on:

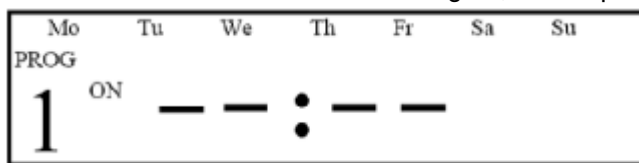
1. The number "1" in the display indicates you are now programming EVENT 1.

2. Press the WEEK button until the display shows the day in which you want the timer turned on.

The options are:

- a. Each day of the week.
- b. All days of the week.
- c. MO, TU, WE; TH, FR, SA; MO, WE, FR; TU, TH, SA.
- d. MO-FR; MO-SA; MO-SU; SA, SU.

3. Press the HOUR and MIN buttons to set up the time of day when you want the timer turned on. Press the PROG button again, the display shows as blow, now you can set up



the time of the day when you want the timer turned off.

4. Repeat the program procedures above for each event (up to 7 events), as needed.

5. When the programming is complete, press the CLOCK button to return to the current time display.

REVIWING YOUR EVENT PROGRAMING

1. In the current time display, press the PROG button repeatedly to check your settings.

2. When finished, press the CLOCK to return to current time display.

SETTING THE MODE

The AUTO acts as an ON and OFF override or sets the events to automatic or manual. To change the current program between ON, OFF, AUTOMATIC, press the AUTO button until the desired program is on the screen.

TROUBLES SHOOTING

If your heater fails to operate, please follow these instructions:

- Ensure that your circuit breaker or fuse is working properly.
- Be sure the heater is plugged in and that the electrical outlet is working properly.
- If the ON/OFF switch is not illuminated at ON position, send it to service center for reparation directly.

NOTE: IF YOU EXPERIENCE A PROBLEM WITH YOUR HEATER, PLEASE SEE THE WARRANTY INFORMATION FOR INSTRUCTIONS. PLEASE DO NOT ATTEMPT TO OPEN OR REPAIR THE HEATER YOURSELF. DOING SO MAY VOID THE WARRANTY AND COULD CAUSE DAMAGE OR PERSONAL INJURY. IF THE PROBLEM STILL PERSISTS, PLEASE CONTACT THE DISTRIBUTOR.

CLEANING AND STORAGE

Before cleaning your heater, switch off the heater and allow it to cool. Disconnect the electricity supply to the appliance. The outside can be cleaned by wiping it over with a soft damp cloth and then dried. Do not use abrasive cleaning powders or furniture polish, as this can damage the surface finish. To release the heater from the wall, for cleaning or redecoration, just open the screw bolt cap and unscrew the bolts to take off from the wall.

For short term storage, just plug off the heater and leave it away; for long term storage, you can dismantle from the wall or cover it with some material.

SPECIFICATIONS

Model No.: PH-ET07TD/PH-ET09TD

Voltage: 220-240V, 50/60Hz

Power: 425 Watts for PH-ET07TD, 550 Watts for PH-ET09TD (Please refer to the package information and be sure that your input voltage is matching with the rated input voltage)

Tolerances on all specifications: Approximately +5%, -10%.

Places with normal winter: 12m² room (425W), 16m² room (550W)

Places with cold winter: 9m² room (425W), 12m² room (550W)

PACKING LIST

-Heater: 1 piece

-Accessories pack 1 set:

1x drill bit (8mm)

4x expansion tube

4x screws (ST 4*45m)

4x plastic fasteners

4x screws (M 5*8m)

4x screws (ST 3*12mm).

1x Instruction manual

LIMITED WARRANTY & SERVICE

One year's Manufacturers Warranty. Please contact your Supplier for Warranty details along with your purchase receipt.

Correct Disposal of this product



This marking indicates that this product should not be disposed with other household wastes throughout the EU. To prevent possible harm to the environment or human health from uncontrolled waste disposal, recycle it responsibly to promote the sustainable reuse of material resources. To return your used device, please use the return and collection systems or contact the retailer where the product was purchased. They can take this product for environmental safe recycling.